

M2703

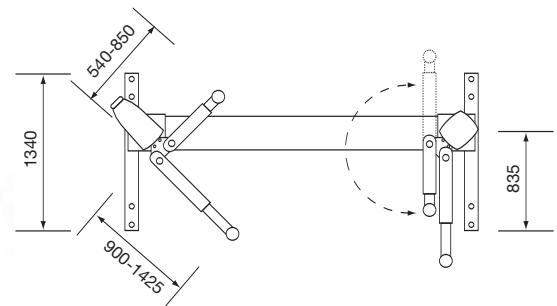
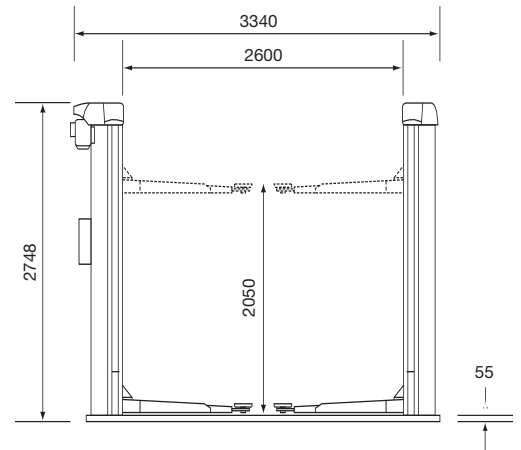
3.2 tonne 2 post electro-mechanical lift

Features

- 3.2 tonne lifting capacity
- Low pad and arm height
- Composite long-life lifting nuts
- Full lifting height of 2050mm
- Asymmetric design for easy access
- Specially built for large cars and 4x4's
- Lifting adaptor
- Telescopic arm design
- Large adjustable lifting pads
- Automatic arm locking for ease of use

Technical data

Voltage	230-400v/50Hz - Three phase only
Motor rating	2.2kW - 3ph
Operation	Electro-mechanical
Capacity	3200kg
Lift/lower	44 seconds
Lifting height	2050mm
Pad height	100mm
Pad extensions	60mm 100mm 170mm
Concrete	35N/mm ² strength continuous slab 160 mm minimum thickness Withstand 2.25 tonne static load Withstand 4.5 tonne shock load



Important Please read supply and installations notes on back page.
Specifications may change without prior notice. Do not scale.

